



# ENER-J®

Smart Home Living

## SUPERHERO LED Bulkhead 9 in 1

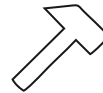
CCT, Wattage Switchable &  
Built-in Microwave Sensor



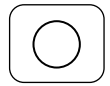
12W / 18W / 22W  
Power Switch



Built-in  
Microwave  
Sensor



IK10  
RATED



SMD  
LED

SKU CODE:  
T562

Ean Code on box:  
5061004715012

### Packing

Inner packing Qty  
1 pc/ Box

Outer Carton Packing Qty  
1 sets/Carton

## Description

Experience ultimate flexibility and performance with the 9-in-1 SUPERHERO LED Bulkhead. With power (12W-15W-18W) and CCT switchable options and a built-in microwave sensor, this robust 320mm light fixture is perfect for any setting, from residential to commercial spaces. Its IP65 and IK10 ratings ensure durability and reliability, making it ideal for indoor and outdoor use.

## Features

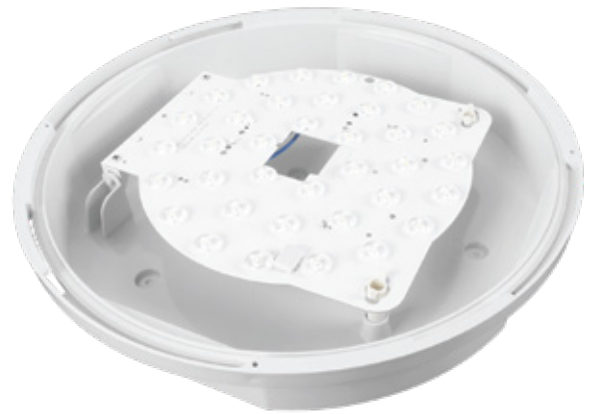
- **Power & CCT Switchable:** Easily switch between 12W, 18W, and 22W power settings and select from 3000K, 4000K, or 6000K color temperatures to meet various lighting needs.
- **Built-in Microwave Sensor:** Integrated microwave sensor for automatic lighting control, making it suitable for diverse environments and enhancing energy efficiency.
- **Robust and Durable:** With an IP65 rating for water and dust resistance and an IK10 rating for impact resistance, this bulkhead is perfect for public spaces, bathrooms, and outdoor areas.
- **Easy Installation:** Features a push-fit connector for quick and hassle-free installation, saving time and ensuring a secure fit.
- **Sleek Design:** Matt white textured finish with an opal PC cover for a modern look that complements any decor style.

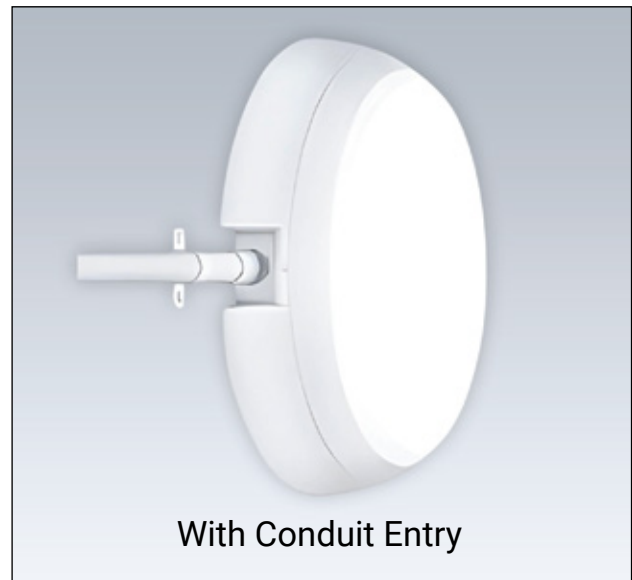
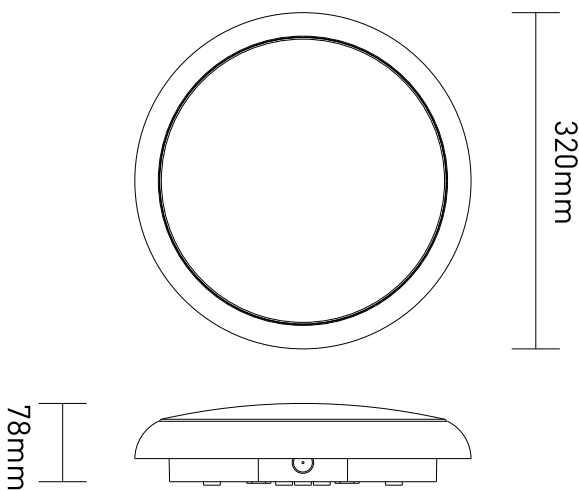
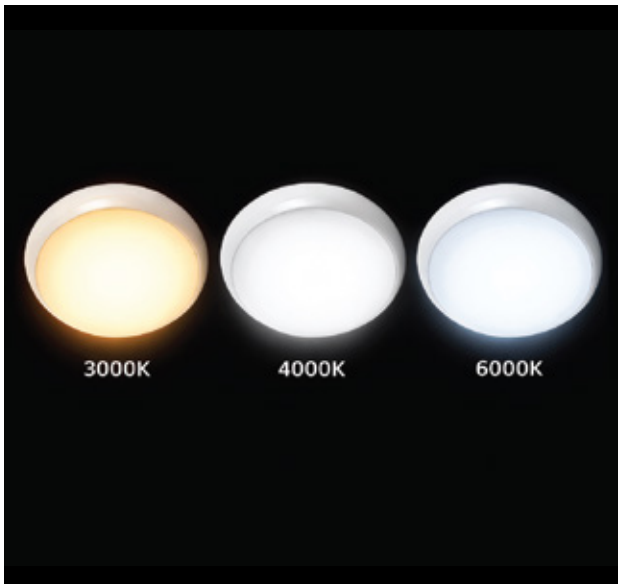
**Technical Parameters**

Product Wattage	12W / 18W / 22W
Product Lumen	1020Lm / 1275Lm / 1530Lm
Lumen/W	85
Colour Temperature (Kelvin)	3000K / 4000K / 6000K
Energy Rating	E
Dimmable	No
Beam Angle	120°
Power Factor	>0.8
CRI	>80
Lifetime (Hours)	35,000
SDCM	<6
Product Voltage	220-240V
Hertz	50/60
Operating Temperature	-20°C to 45°C
Terminal Block	3-way fast fix
Class	2 (No earth required)

**Microwave Movement Sensor**

Input Voltage	220-240V AC
Rated Voltage	230V AC
Stand-by Power	≤0.1W
Operating Frequency	5.8 GHz ±75 MHz, ISM
Transmitting Power	1mW Max.
Hold Time	5s / 30s / 1min / 3min / 5min / 10min / 20min / 30min
Detection Area	100% / 75% / 50% / 25%
Daylight Sensor	2Lux / 10Lux / 25Lux / 50Lux / Disable
Detecting Radius	0.3m/s ≥3.5m, 1m/s ≥2.5m (mounting height 3m)
Mounting Height	4m Max
Detecting Angle	150°
Hertz	50/60
Operating Temperature	-25°C to 60°C
Storage Temperature	-40°C to 80°C
Humidity	≤85%


**Microwave Sensor**



**Stuck? Confused?**

Contact our Technical Support team on:  
T: +44 (0)1291 446 105 E: support@ener-j.co.uk  
Lines are open Mon - Fri (8am to 4pm)