



## LED CANOPY LIGHT



SKU Code: T318/T320/T321



### Products Features

- The material of heat sink is high thermal conductivity No. ADC12 aluminum, good for heat dissipation.
- The unique design of housing help to speed up the heat dissipation, further ensuring the life of the fixture. The integrated design of appearance makes the fixture looks elegant.
- This fixture is waterproof, dustproof, anticorrosive.

### Packing including

- 1 x LED Canopy light.
- 1 x Product user manual.

### Warning

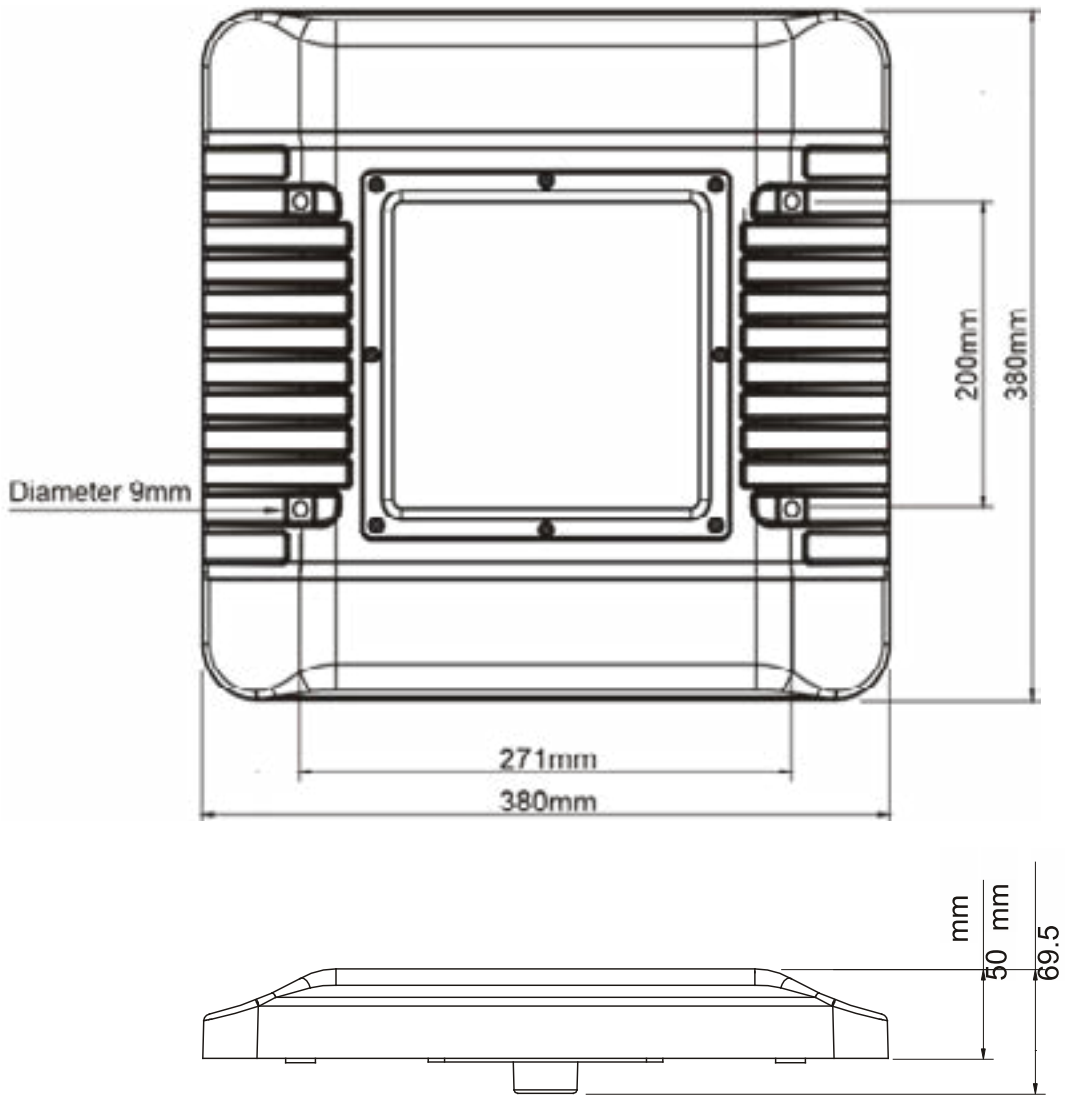
- Please read the manual carefully before installation.
- Please authorise only qualified person or professional engineer to install the fixture.
- Before installation, Please check if the local voltage range is correspond with the working voltage of the fixture.
- if the fixture is damaged, it should be replaced by the supplier, a service agent or a qualified person.
- Please keep the fixture out of fire, electric shock, vibration.
- To avoid fire, electric shock..

SKU	CCT	EAN
T318	5700K	7103353184465
T320	5700K	7103357864622
T321	4000K	7103351548023

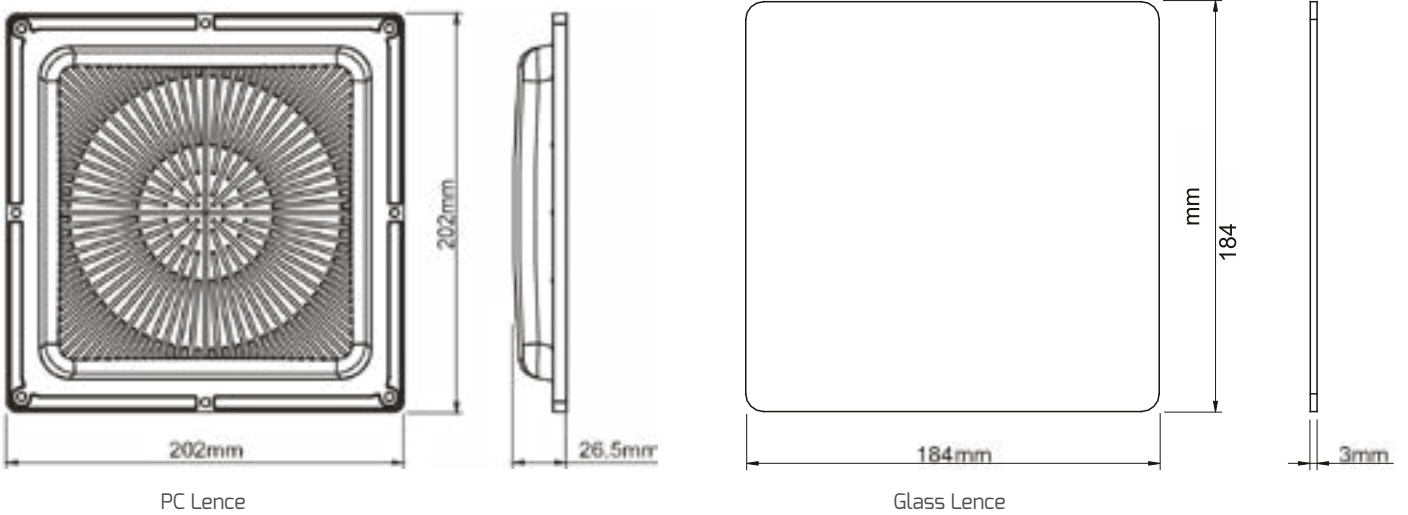
## Specifications

Products	100W Technical Parameters	150W Technical Parameters
Product Name	100W LED Canopy light	150W LED Canopy light
Part No	HD-CP01-100W	HD-CP01-150W
LED Type	SAMSUNG 2835	
LED QTY	120PCS	180PCS
System Efficacy	120±5% LM/W	
Luminous Flux	12000±5% LM	18000±5% LM
CCT	5700K	4000K, 5700K
Beam Angle	110°	
CRI	>80Ra	
System Efficiency	>90%	
PowerSupply	SOSEN	
Input Voltage	AC100-277V/AC120-277V/AC200-480V	
Power Frequency	50/60Hz	
Output Voltage	DC28.8-48V	
Output Current	1.0A(Constant Current)	1.5A(Constant Current)
Power Efficiency	≥90%	
Power Factor	≥0.9	
Total Harmonic Distortion	<15%	
System Power consumption	100±5 W	150±5 W
Led Power consumption	92±5 W	138±5 W
Application	Outdoor	
Certificates	ETL cETL DLC CE ROHS	
Fixture Material	ADC12 Aluminum alloy	
Ingress Protection	IP65	
Operating Temperature	-30 ~ 50°C	
Life span	>50000Hrs(Ta=30°C @LM70)	
Operating Humidity	15-90%RH	
Storage Temperature	-40 ~ 70°C	
Storage Humidity	10%-95%	
Luminaire Net Weight	4.7±0.2KG	5.0±0.2KG
Export Carton Size	432*408*108mm	
Luminaire Gross weight	5.7±0.2KG	6.0±0.2KG

75-150W Product Dimension

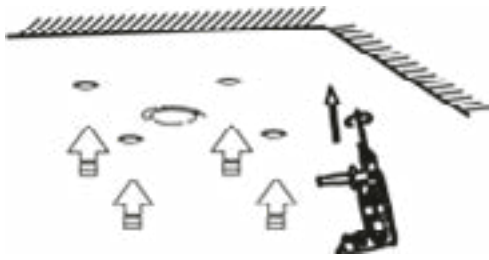


Accessory



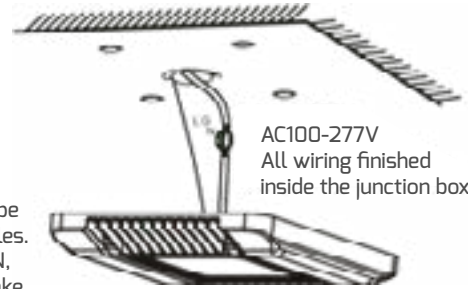
## Installation

1



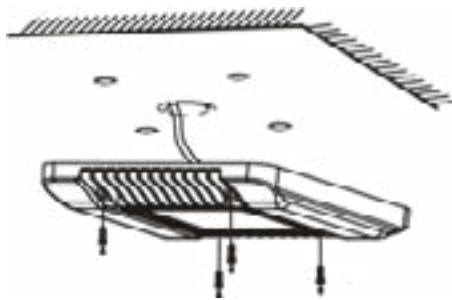
Drilling a holes in the ceiling.

2



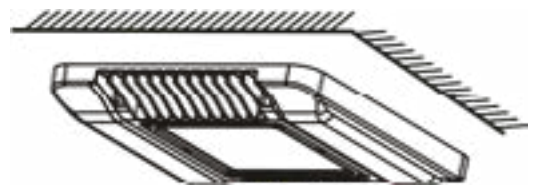
Install safety rope  
Connect the cables.  
Black-L, White-N,  
Green-Ground take  
care of the waterproof  
processing.

3



Install the screws.

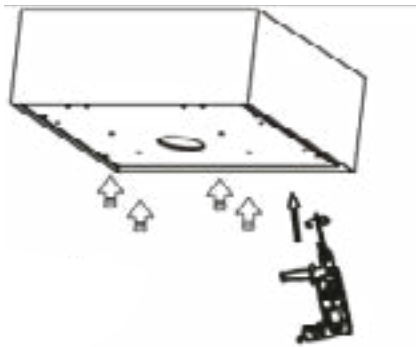
4



The installation is complete.

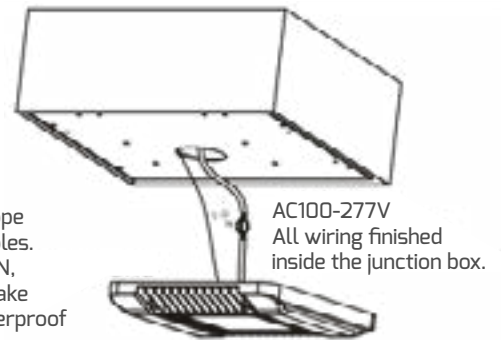
## Installation

1



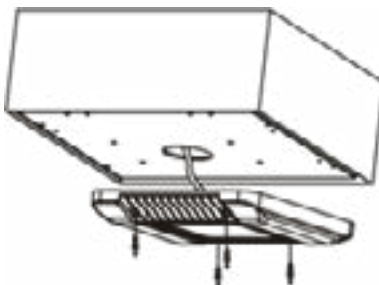
Drilling a holes in  
the Sheet metal box.

2



Install safety rope  
Connect the cables.  
Black-L, White-N,  
Green-Ground take  
care of the waterproof  
processing.

3



Install the screws.

4



The installation is complete.