

# 60x60 40W 4000 Lumens Double Square Borderline 6000K on border and Blue Inside

**ENER-J**<sup>®</sup>  
Smart Home Living



SKU Code: T200BL



## Features:

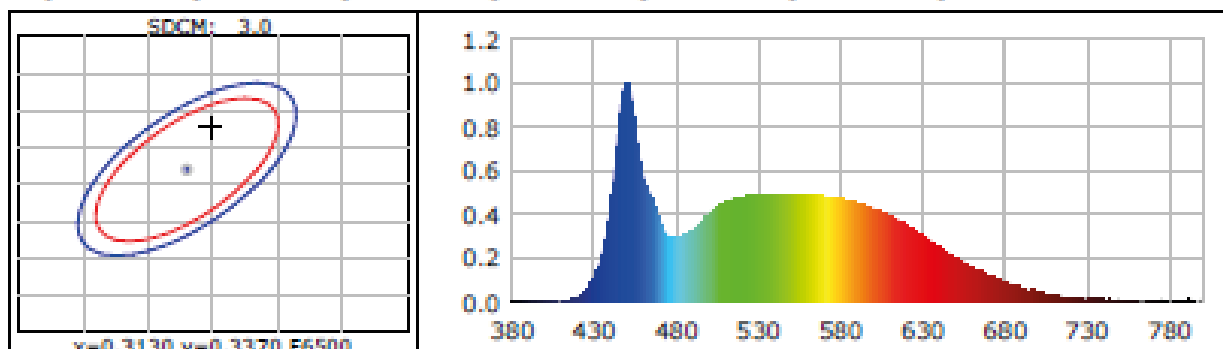
- ▶ Cost effective, High brightness, Energy saving, Recessed Ceiling Lights
- ▶ Unique and Innovative Design of double Squares, provides a very welcoming experience for your customers
- ▶ These fittings replace the standard LED 600 x 600 panel light, easily sitting around the edge of tile simply placing the centre grid tile back on top. Gives a very unique effect, visually appealing and modern.
- ▶ Use in offices, retail shops and hospitality sectors to illuminate the area with existing ceiling grid 600 x 600mm or 595 x 595mm
- ▶ Light weight for easy installation & storage
- ▶ Emergency Battery Pack and Hanging Kits available as an add-on

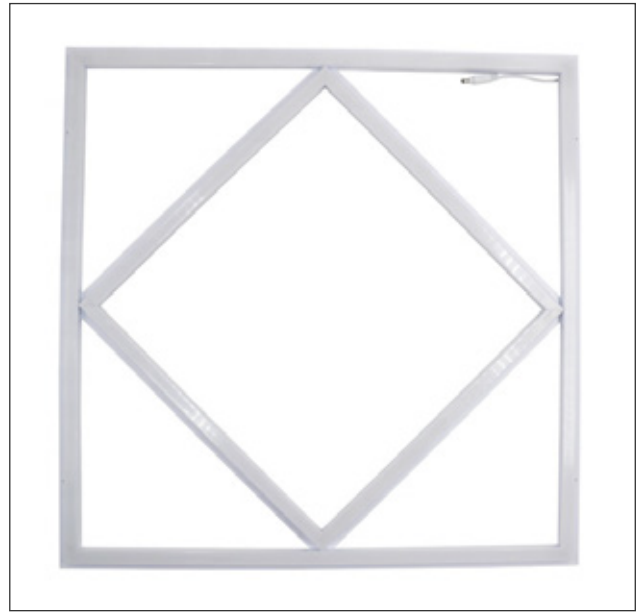
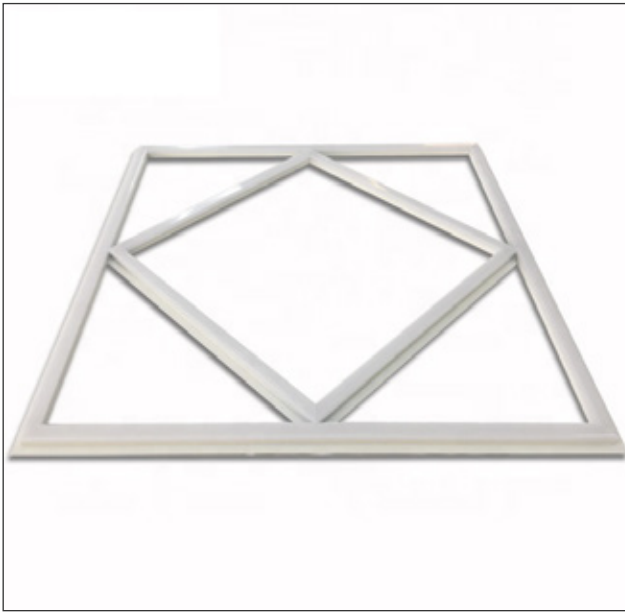
## Technical Specification:

Wattage:	40W
LED Color:	6000K
LED Driver:	CE & EMC passed
Input Voltage:	AC220-240V
Power Factor:	PF>0.9
Number of beads:	504PCS
LED Type:	SMD2835
CRI:	Ra>80
Lumen:	4000
Warranty:	3 years
Application:	office, factory, supermarket, hotel, school, hospital, restaurant etc.

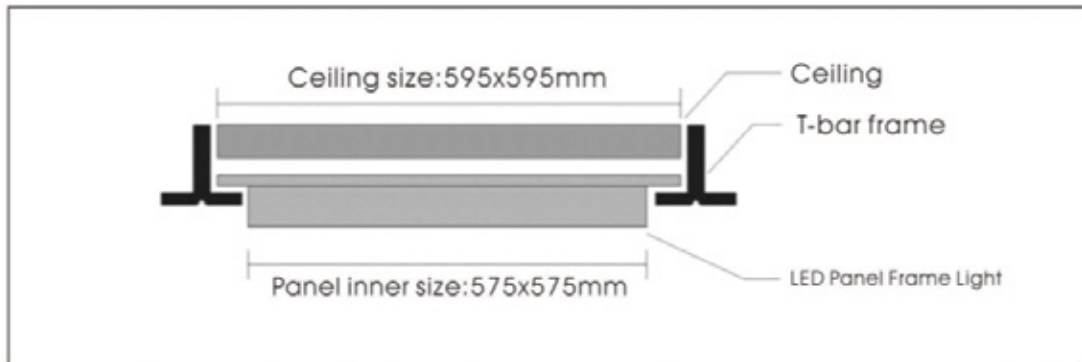


## Photometric diagram

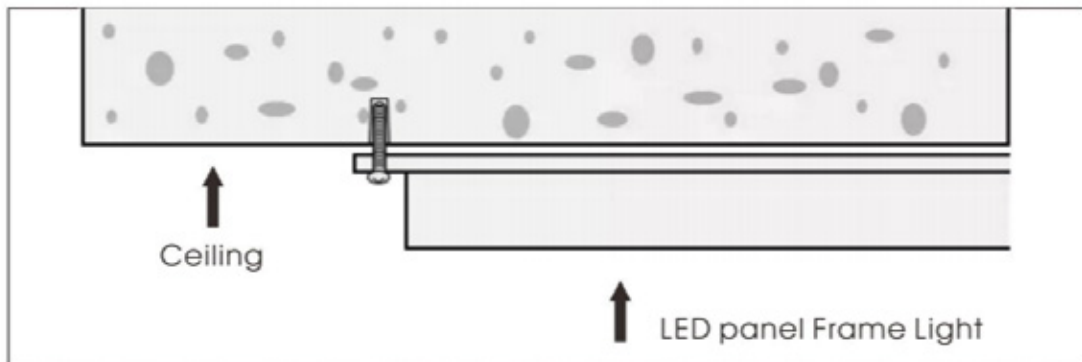




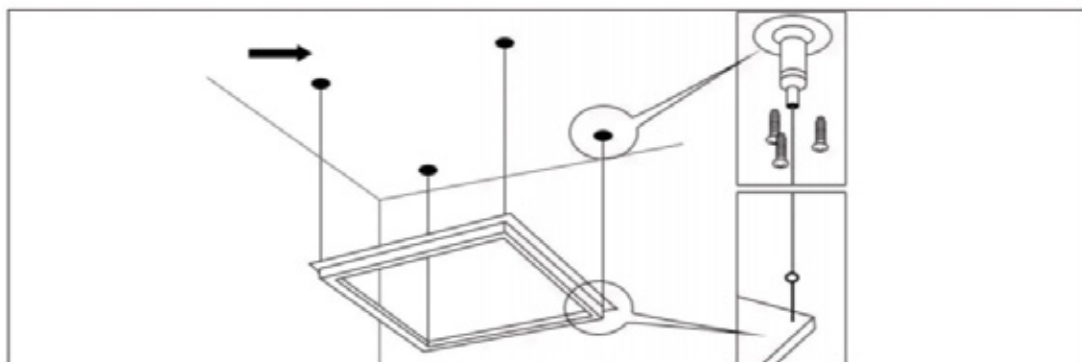
### Recessed Installation

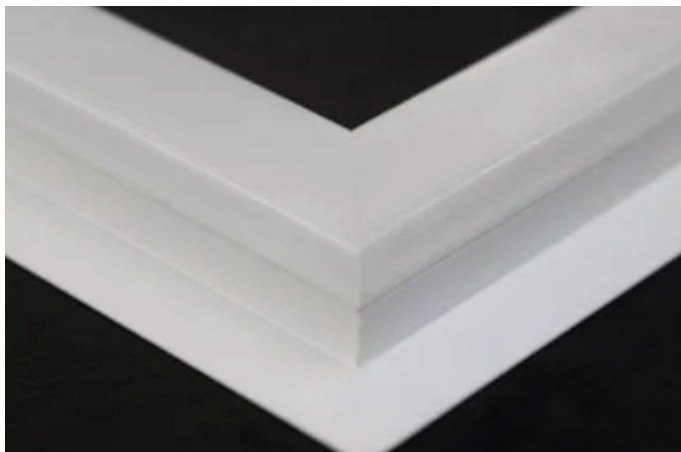


### Surface Mounted Installation



### Suspension Installation





**Thick & high light transmittance cover**



**Soft & durable DC connector**



**Good Soldering connection**



**High brightness & high CRI SMD2835**

---

### Thank you for choosing ENER-J!

Customer satisfaction is our TOP priority, please let us know how you felt about your experience. Happy? We are so happy that you are pleased with our product. Feel free to express your newfound joy! Share your experience by writing a review.

Not Happy? If you are not fully satisfied with the item you received, have any problems like damages, or questions, please contact us. We typically respond within 24-48 hours.

**Have a question? We're happy to help!**

Contact us on:

T: +44 (0)1291 446 105 E: [support@ener-j.co.uk](mailto:support@ener-j.co.uk)

Lines are open Mon - Fri (8am to 4pm)