

30W LED Floodlight PRE-Wired with 500W ECO range Receiver

ENER-J[®]
Smart Home Living

LED Floodlight wired with (WS1055)
Non-Dimmable 5A RF Receiver in 1
box allowing you to switch on/off
this LED Floodlight with ENER-J's Eco
Range Wireless Kinetic Switch (not
included)



SKU EWS1067



IP65



DESCRIPTION

The new ENER-J Ultra Slim LED Floodlight comes with an integrated ENER-J controller that can be paired with the ENER-J wireless switches. A floodlight can be controlled by a maximum of 10 separate switches, and a switch can pair with up to 10 Receivers.

Features:

- ▶ This ultra slim, newly designed flood light range is the latest in our outdoor LED range of lighting pre wired with a 500W ECO range RF receiver
- ▶ Our Eco Range receiver allows floodlight to be switched without extra wiring using an Eco Range Kinetic Switch (not included)
- ▶ A floodlight can be controlled by a maximum of 10 separate switches, and a switch can pair with up to 10 Receivers
- ▶ Pre wired with 60cm cable, installation is both quick and easy
- ▶ Applications include gardens, bushes/shrubs, security lighting, porch lighting, area floodlighting, factories, offices. The possibilities are endless.
- ▶ Shatter-resistant tempered glass. Die-cast aluminum casing. Includes adjustable bracket. Comes pre-wired with 60cm length of rubberized cable.

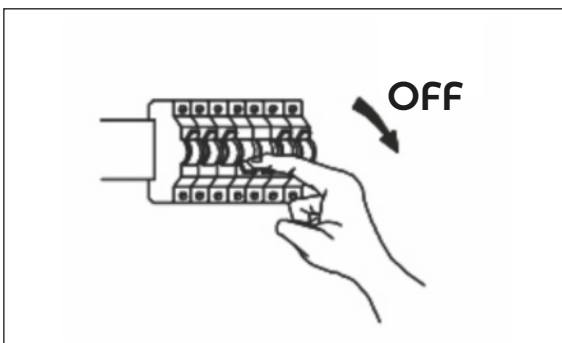
Technical Specifications:

Dimensions	144×125×26.3 mm
Power	30W
Voltage	220–240V AC
CCT	6500k
Lumens	2400Lm
Weight	2.3Kgs
Beam Angle	110°
Warranty	2 Years

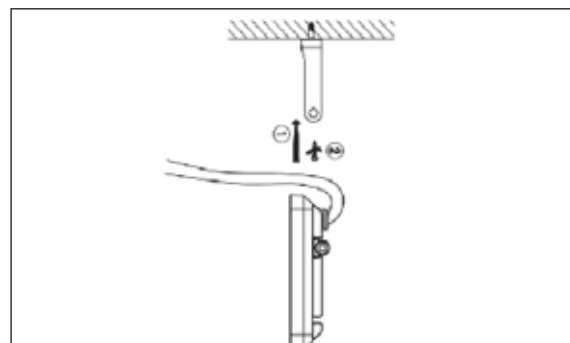
Control Method Pairing with ENER-J Wireless switch (ECO SERIES only).

INSTALLATION INSTRUCTIONS:

① Shut off Power

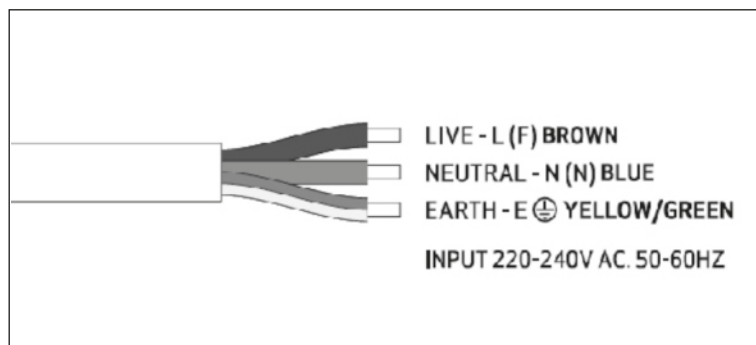


② Mount the bracket on the wall

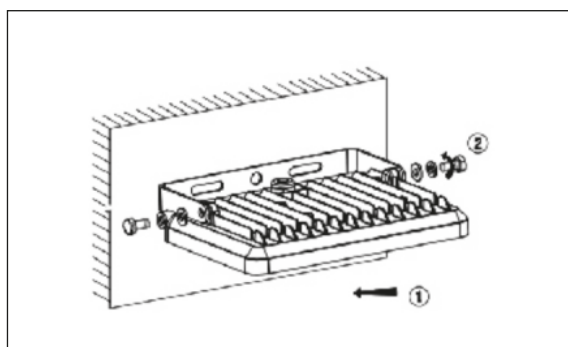


- ③ Terminate loose ends of wire to an appropriate IP Rated junction box or similar, ensuring Live, Earth and Neutral polarities are observed.

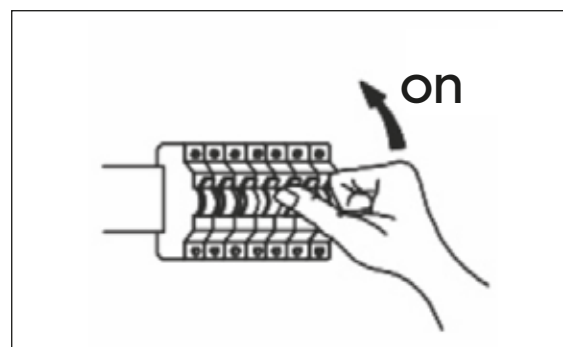
Live - Brown/Red
Neutral - Blue/Black
Earth - Yellow/Green



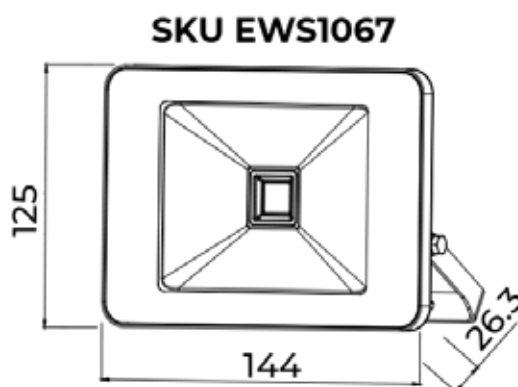
- ④ Connect the fitting to its bracket.



- ⑤ Turn On Power and test the luminaire



Dimension



Please read these instructions before commencing installation & retain them for future reference.

Important information

It is recommended that floodlights are installed by a qualified electrician ensuring the installation complies to current IEE wiring regulations & local building control.

- ▶ These products are designed for connection to a 220-240V mains supply.
- ▶ We will not accept responsibility for any claims arising from a poor installation.

Stuck? Confused?

Contact our Technical Support team on:

T: +44 (0)2921 252 473 E: support@ener-j.co.uk

Lines are open Mon - Fri (8am to 4pm)